

CURRENT 10 Ampere
 VOLTAGE RANG 40 to 200 Volts

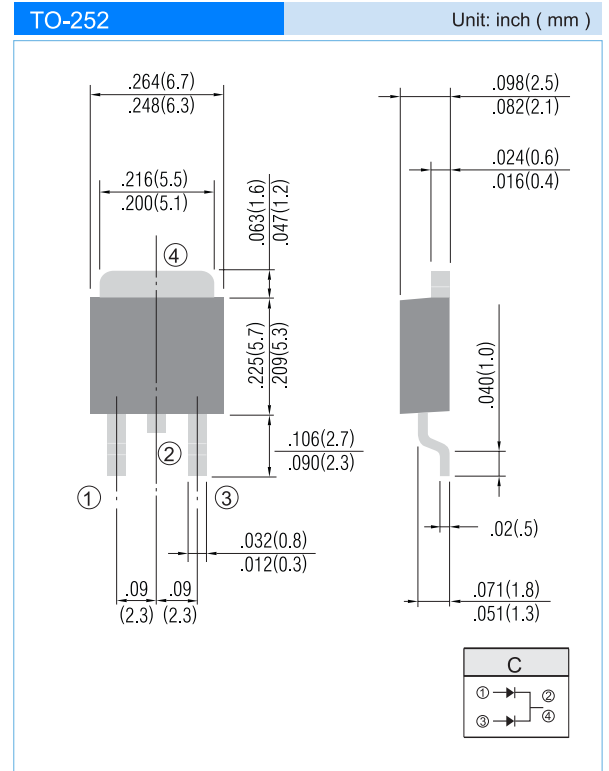
BD1040CS THRU BD10200CS

FEATURES

- Plastic package has Underwriters Laboratory Flammability Classification 94V-O
- For through hole applications
- Low profile package
- Built-in strain relief
- Low power loss, High efficiency
- High surge capacity
- For use in low voltage high frequency inverters, free wheeling, and polarity protection applications
- In compliance with EU RoHS 2002/95/EC directives

MECHANICAL DATA

- Case: TO-252 molded plastic
- Terminals: Solder plated, solderable per MIL-STD-750, Method 2026
- Polarity: As marking
- Weight: 0.0104 ounces, 0.297 grams.



MAXIMUM RATINGS

Ratings at 25°C ambient temperature unless otherwise specified. Single phase, half wave, 60 Hz, resistive or inductive load. For capacitive load, derate current by 20%

PARAMETER	SYMBOL	BD10 40CS	BD10 45CS	BD10 50CS	BD10 60CS	BD10 80CS	BD10 90CS	BD10 100CS	BD10 150CS	BD10 200CS	UNITS
Maximum Recurrent Peak Reverse Voltage	V_{RRM}	40	45	50	60	80	90	100	150	200	V
Maximum RMS Voltage	V_{RMS}	28	31.5	35	42	56	63	70	105	140	V
Maximum DC Blocking Voltage	V_{DC}	40	45	50	60	80	90	100	150	200	V
Maximum Average Forward (See Figure 1)	$I_{F(AV)}$	10									A
Peak Forward Surge Current : 8.3ms single half sine-wave superimposed on rated load(JEDEC method)	I_{FSM}	100									A
Maximum Forward Voltage at 5.0A per leg	V_F	0.70		0.75		0.80			0.90		V
Maximum DC Reverse Current at $T_J=25^{\circ}C$ Rated DC Blocking Voltag $T_J=100^{\circ}C$	I_R	0.05 20									mA
Typical Thermal Resistance	$R_{\theta JC}$	3.0									$^{\circ}C / W$
Operating Junction and Storage Temperature Range	T_J, T_{STG}	-55 to +150				-65 to +175					$^{\circ}C$

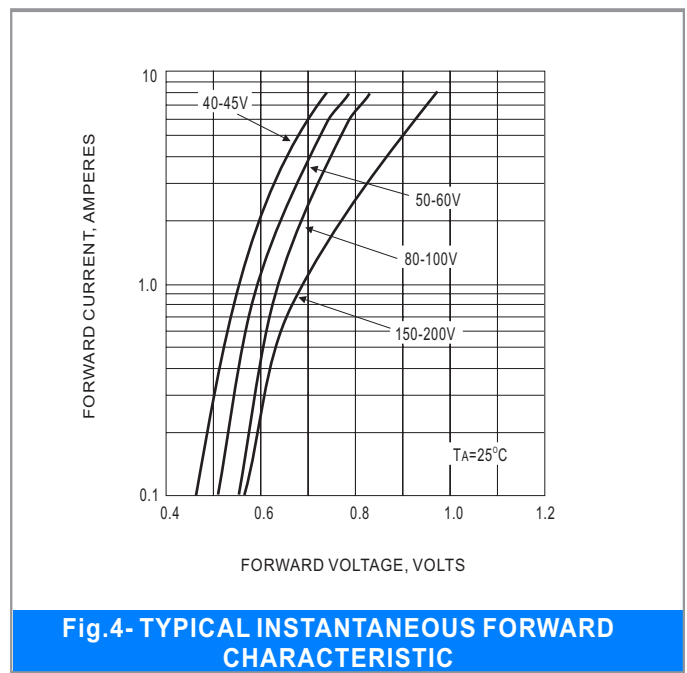
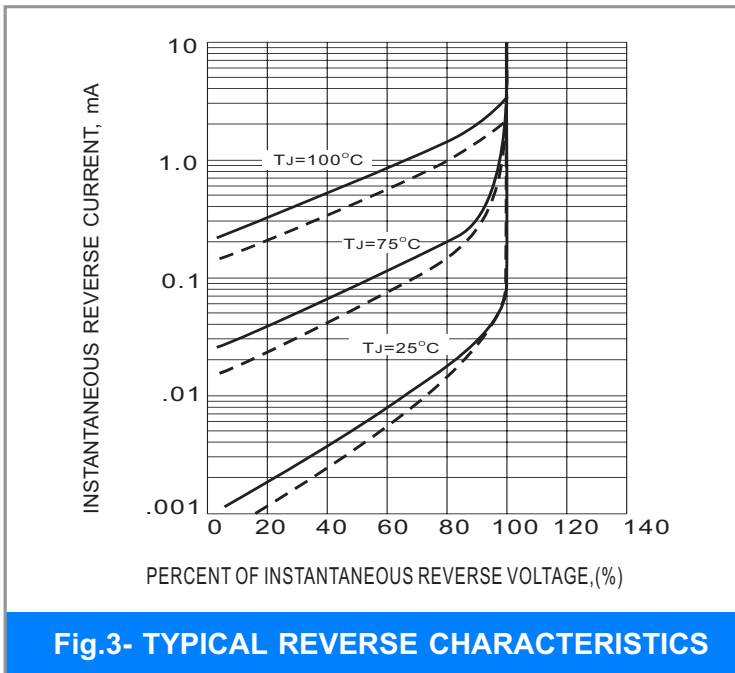
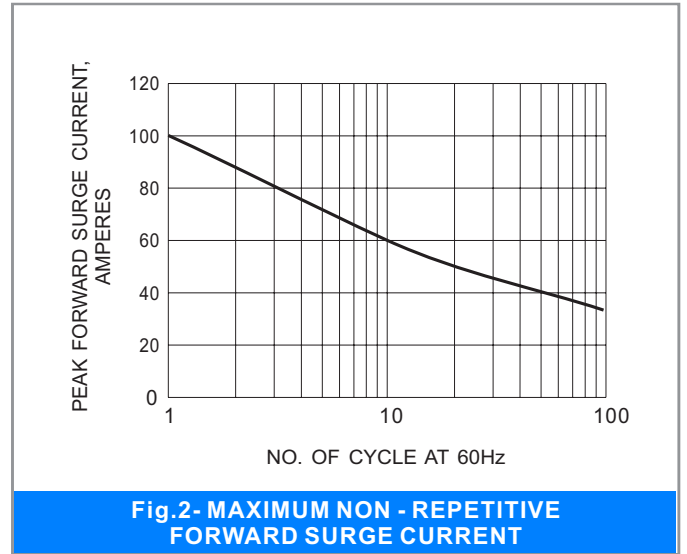
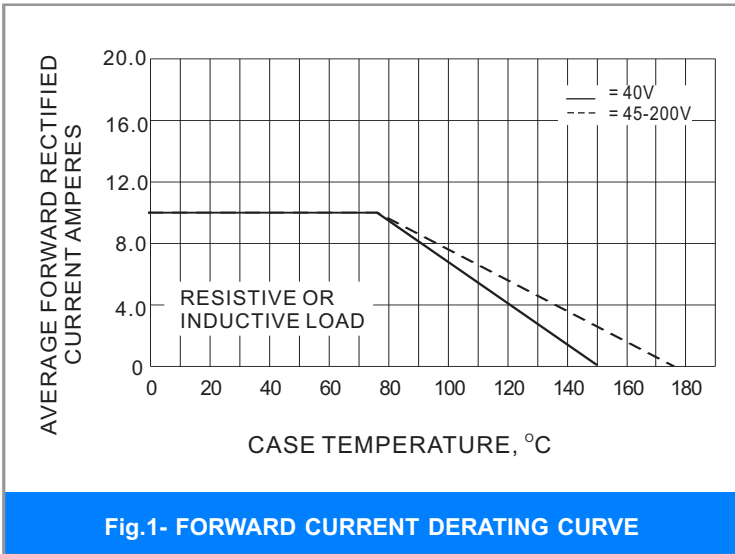
NOTES:

Both Bonding and Chip structure are available.

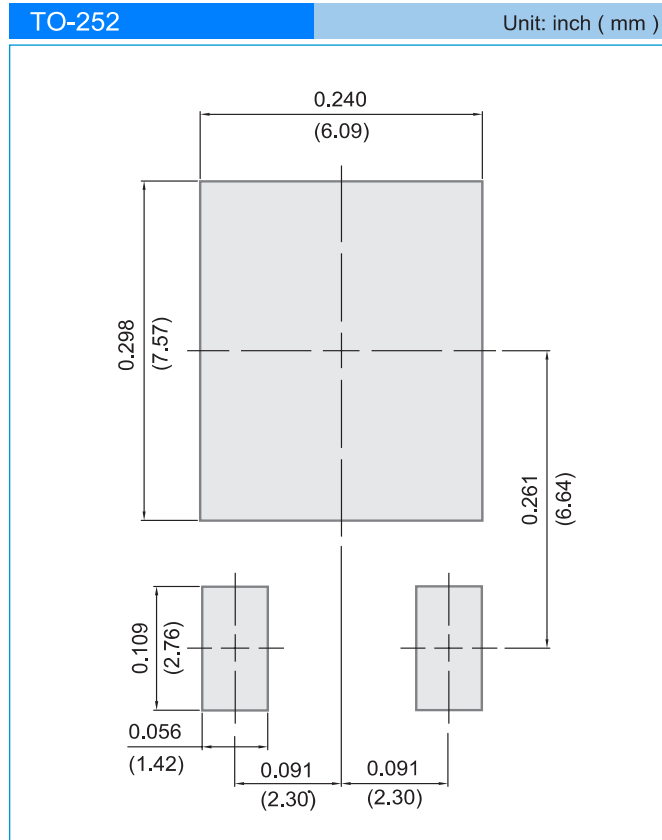
CURRENT 10 Ampere
 VOLTAGE RANG 40 to 200 Volts

BD1040CS THRU BD10200CS

RATING AND CHARACTERISTIC CURVES



CURRENT 10 Ampere
VOLTAGE RANG 40 to 200 Volts

BD1040CS THRU BD10200CS**MOUNTING PAD LAYOUT****ORDER INFORMATION**

- Packing information
T/R - 3K per 13" plastic Reel